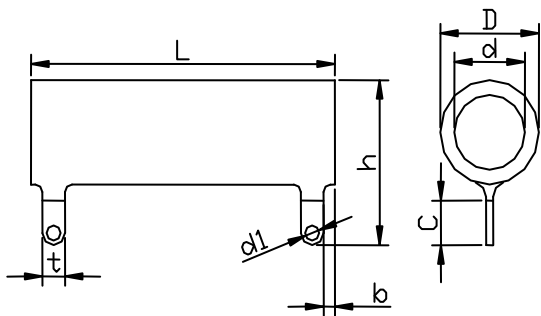




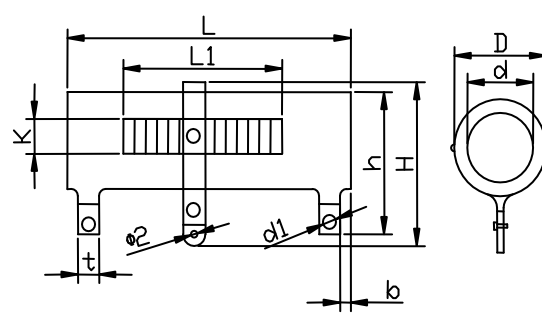
●特点 Features:

- 1、电阻表面被釉,抗污染性强,耐化学气体侵蚀,绝缘度高,耐湿耐温,可在恶劣环境下使用。Surface glazed,won't be easily polluted or by chemistry gas,high insulating capacity,can resist humidity and heat well,can be used in the atrocious environment.
- 2、过负荷能力强,热稳定性好,使用寿命长。Good overload and heat-durability capacity,the use life is longer then the others.
- 3、精度范围 Resistance tolerance: $\pm 5\%$ 、 $\pm 10\%$.

固定型 Fixed Type:



可调型 Adjustable Type:

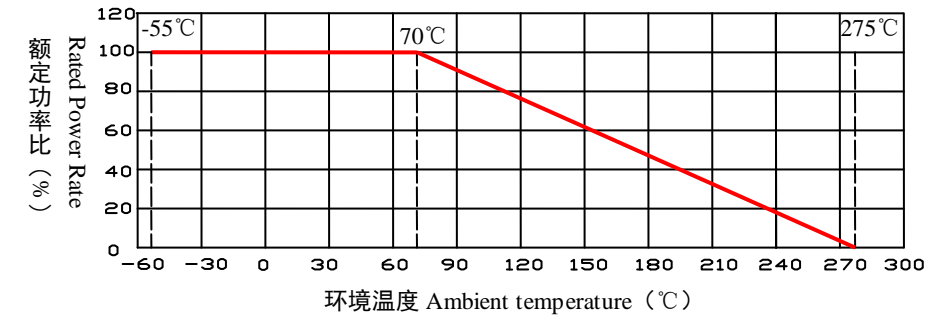


●规格尺寸 Specifications and Dimensions:

料号 Part No.	功率 Power	阻值范围 Resistance range		外形尺寸 (mm) Dimensions										
		固定型 Fixed type	可调型 Adjustable type	L±2	D±2	d±1	H±2	h±2	L1±2	K±2	b±1	t±1	d1±0.5	C±1.5
BHR08B	8W	5R1-3K3		35	14	5.5		28.5			3.5	4.5	2	8.5
BHR10B	10W	5R1~10K	5R1~200R	41	14	5.5	31	28.5	20	6	3.5	4.5	2	8.5
BHR16B	16W	5R1~15K	5R1~220R	45	17	8	34	31	23	6	3.5	4.5	2	8.5
BHR16B	20W	5R1~20K	5R1~430R	51	17	8	34	31	30	6	3.5	4.5	2	8.5
BHR25B	25W	10R~24K	10R~510R	51	21	12	39	35	30	6	3.5	4.5	2	8.5
BHR30B	30W	10R~30K	10R~1K	71	21	12	39	35	44	6	3.5	4.5	2	8.5
BHR40B	40W	20R~51K	20R~1K2	87	21	12	39	35	57	6	3.5	4.5	2	8.5
BHR50B	50W	20R~51K	20R~1K5	91	29	20	47	43	60	7	4.5	6	2.5	8.5
BHR75B	75W	24R~56K	24R~2K	140	29	20	47	43	110	7	4.5	6	2.5	8.5
BHR100	100W	24R~62K	24R~2K7	170	29	20	47	43	140	7	4.5	6	2.5	8.5
BHR150	150W	20R~91K	20R~4K3	215	29	20	47	43	185	7	4.5	6	2.5	8.5
BHR200	200W	4R7~12K	5R1~3K	215	38	25	60.5	58	160	7	8	9	4	11
BHR250	250W	4R7~12K	5R1~3K	266	30	16	50	50	210	7	8	9	4	11
BHR300	300W	4R7~12K	5R1~3K	266	36	20	58.5	58	210	8	8	9	4	11
BHR400	400W	5R1~10K	6R2~3K	250	54	30	76.5	76	180	10	8	16	8	17
BHR500	500W	5R1~10K	6R2~3K	300	54	30	76.5	76	230	10	8	16	8	17

备注 Note: 具体规格尺寸可以根据客户的需求制作,同时也可以制作一管多个阻值,也可按客户要求取消固定支架。We can according to customer's requirement to customize the specification and dimension, also can produce multiple resistance values of one ceramic tube or cancel the fixed plank.

●额定功率递减图 Rated Power Derating Curve:



●性能测试 Performance Test:

测试项目 Test Item	测试条件 Test Condition	性能 Performance
温度系数 Temperature coefficient	在常温及常温+100°C时分别测量电阻值并计算每度的阻值变化率。Test the resistance value at normal temperature added 100°C,calculate per °C resistance value rate.	$\pm 300\text{ppm}/^\circ\text{C}$
短时间过负荷 Short time overload	施加 10 倍额定功率的电压 ($\sqrt{10PR}$) 或最高负荷电压 (取较小者) 5 秒。According 10 times rated power to account the voltage ($\sqrt{10PR}$) or max .overload voltage (get the lower)for 5 seconds.	$\Delta R \leq \pm (2\%R_0 + 0.05\Omega)$
耐焊接热 Resistance to soldering heat	在 $350 \pm 10^\circ\text{C}$ 的锡炉中浸入 2~3 秒。Immerge into the $350 \pm 10^\circ\text{C}$ tin stove for 2~3 seconds.	$\Delta R \leq \pm (1\%R_0 + 0.05\Omega)$
可焊性 Solderability	在 $260 \pm 5^\circ\text{C}$ 的锡炉中浸入 2~3 秒。Immerge into the $260 \pm 5^\circ\text{C}$ tin stove for 2~3 seconds.	焊锡面积覆盖 95%以上 The area of soldering is over 95%
温度循环 Temperature cycling	在 -55°C 时放置 30 分钟,然后再 $+25^\circ\text{C}$ 时放置 10~15 分钟,然后再在 $+275^\circ\text{C}$ 时放置 30 分钟,然后再在 $+25^\circ\text{C}$ 时放置 10~15 分钟,共循环 5 次。At -55°C for 30 min,then at $+25^\circ\text{C}$ for 10~15 min,then at $+275^\circ\text{C}$ for 30 min,then at $+25^\circ\text{C}$ for 10~15min, total 5 cycles.	$\Delta R \leq \pm (1\%R_0 + 0.05\Omega)$
耐湿负荷寿命 Load life in humidity	在温度为 $40 \pm 2^\circ\text{C}$, 相对湿度为 90~95% 的恒温恒湿箱中,施加额定电压或最大工作电压 (取较小者) 共 1000 小时 (通 1.5 小时,断 0.5 小时)。Overload rated voltage or Max. working voltage(get the lower) for 1000 hours (1.5 hours on and half-hours off) at the $40 \pm 2^\circ\text{C}$ and 90~95% relative humidity.	$\Delta R \leq \pm (5\%R_0 + 0.05\Omega)$
耐温负荷寿命 Load life in heat	在 $70 \pm 2^\circ\text{C}$ 恒温恒湿箱中施加额定电压或最大工作电压 (取较小者) 1000 小时 (通 1.5 小时,断 0.5 小时)。Overload rated voltage or Max. working voltage(get the lower)m for 1000 hours (1.5 hours on and half-hours off) at the $70 \pm 2^\circ\text{C}$.	$\Delta R \leq \pm (5\%R_0 + 0.05\Omega)$
不燃性 Nonflammability	分别按 5、10、16 倍额定功率加交流负荷 5 分钟。Respectively load AC voltage by 5,10,16 times rated power for 5 min.	不可有明显火焰 No visible flame

●料号规则 Part No. Regulation:

BHR	50B	J	0	AP01	10R00
产品名称 Product Name	功率 Power	精度 Tol.	特殊码 Special Code	成型 Forming	阻值 Ohm
被釉功率瓷管式电阻器 Glaze High Power Ceramic Tube Resistor	08B=8W 50B=50W 100=100W 500=500W	J= $\pm 5\%$ K= $\pm 10\%$			0R100=0.1Ω 0R220=0.22Ω 10R00=10Ω 10K00=10KΩ